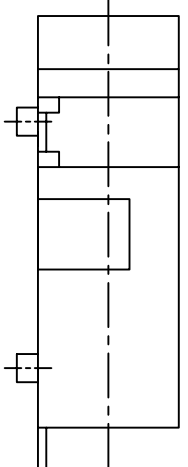
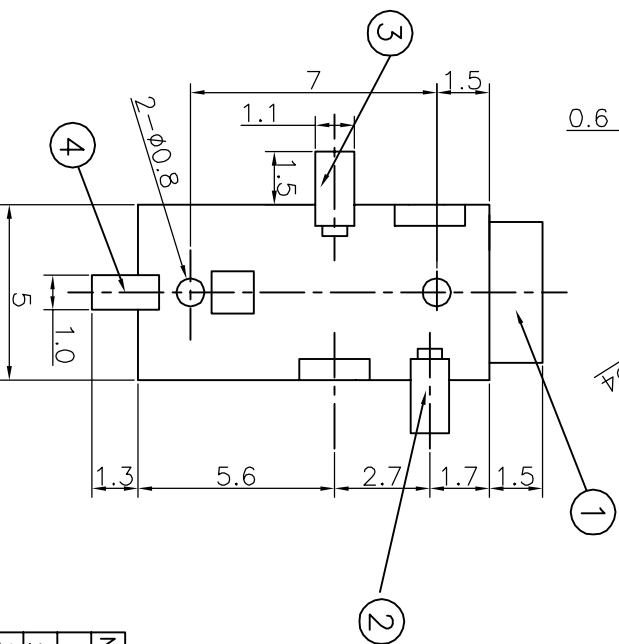
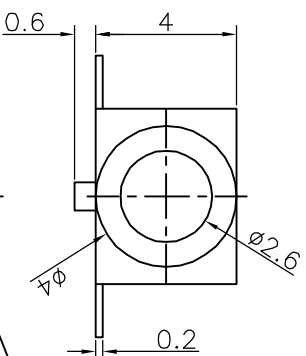
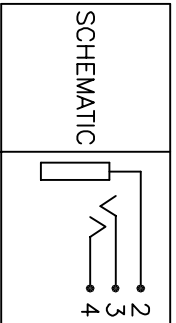


P.C.B. LAYOUT
MOUNTING SIDE



NO.	NAME	MATERIAL	FINISH
1	HOUSING	POLYAMIDE	BLACK
2	TERMINAL 1	PBS t=0.2	Sn PLATED
3	TERMINAL 2	PBS t=0.2	Sn PLATED
4	TERMINAL 3	PBS t=0.2	Sn PLATED

JJP Jen Jia Precision Co., LTD.

INTENDED USE	2.5 mm PHONE JACK		
CUSTOMER	J161025-0263		
TOLERANCES	PART NO.	J161025-0263	APPRD Peter
	DRAW NO.	CHKD Paul	

0~6±0.1 X:±1.5
6~20±0.2 X:±1*
20~90±0.3 XX:±0.5

FINISH	SEE NOTE	DATE	CH	2001/9/20
SCALE	1/1	SHEET	UNIN	mm